



VERVE

780mm INOX REF: 275750

780mm BLACK REF: 275760

STEALTH

540mm BLACK REF: 275700

540mm STAINLESS STEEL REF: 275670

540mm MATT BLACK CANOPY REF: 277080

780mm STAINLESS STEEL REF: 275680

780mm BLACK REF: 275710

540mm STAINLESS CANOPY REF: 277070

780mm STAINLESS CANOPY REF: 277050

780mm MATT BLACK CANOPY REF: 277060

940mm STAINLESS STEEL REF: 275690

940mm BLACK REF: 275720

940mm STAINLESS CANOPY REF: 277090

940mm MATT BLACK CANOPY REF: 277100

**Congratulations on purchasing your
new Miro extractor!**

**Register your 2 years parts and labour
warranty now:**

www.miroproducts.co.uk/register-warranty/

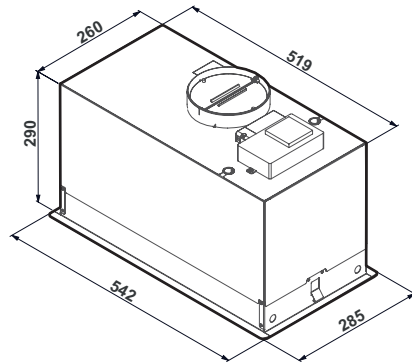
or

scan the QR code below

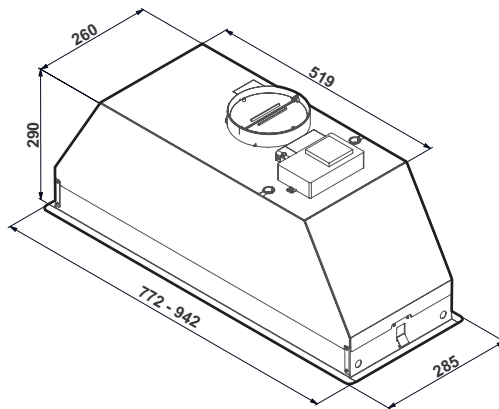


**Miro Products Limited
Unit 9, Evolve@Vision Park
Whittle Way
Burnley, Lancashire
BB12 0AW
01282 450238**

mod.542X285



mod.772X285
mod.942X285



mod.542-772-942

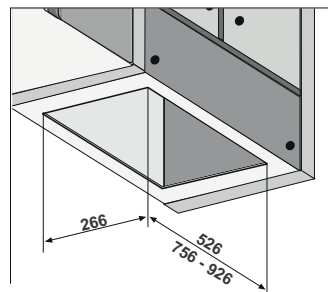
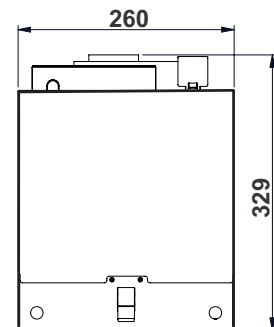
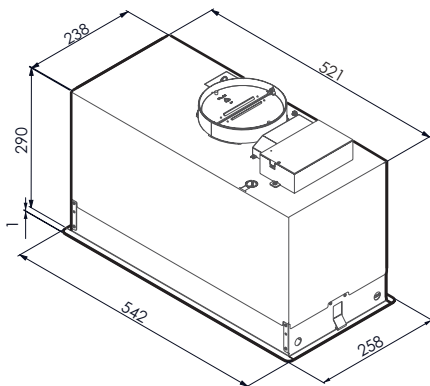
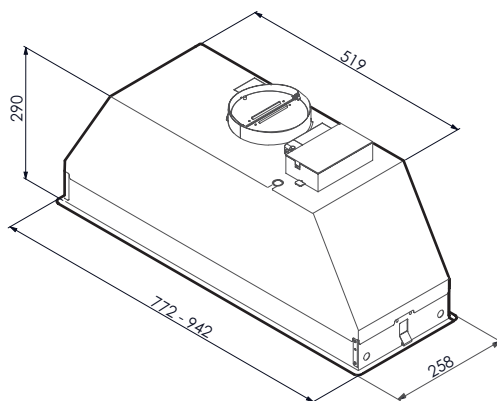


Fig.1

mod.542X258



mod.772X258
mod.942X258



mod.542-772

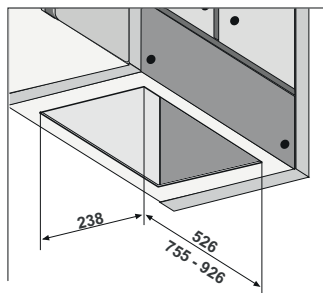
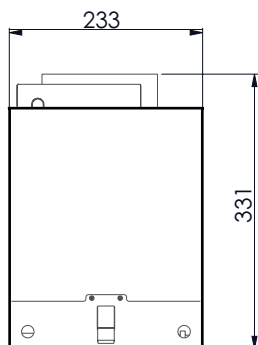
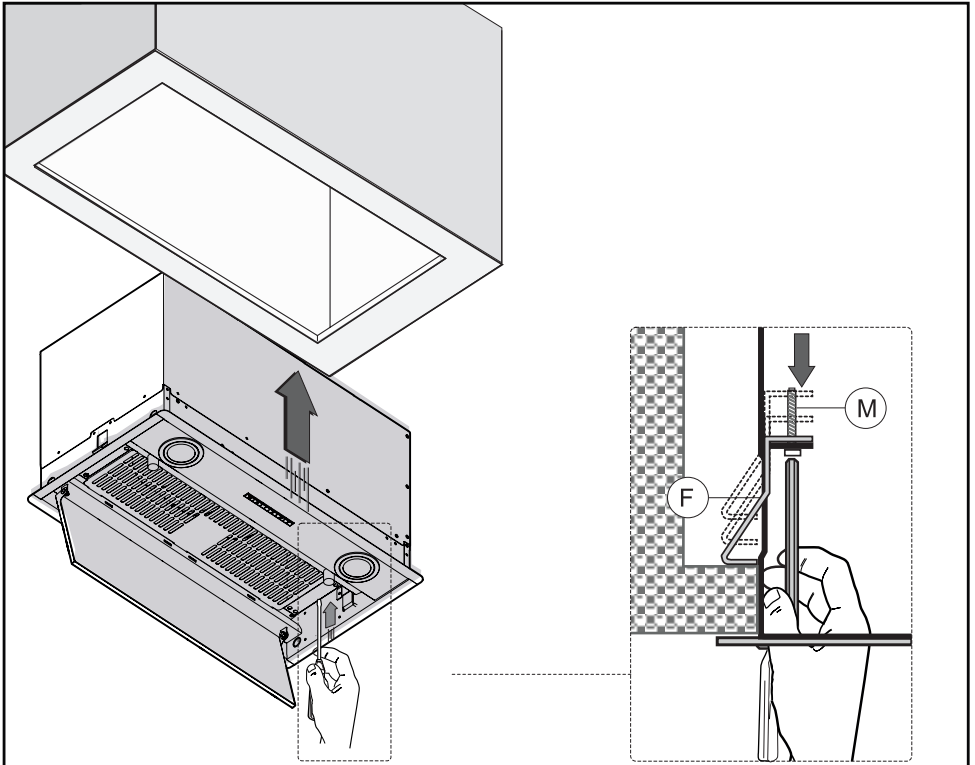
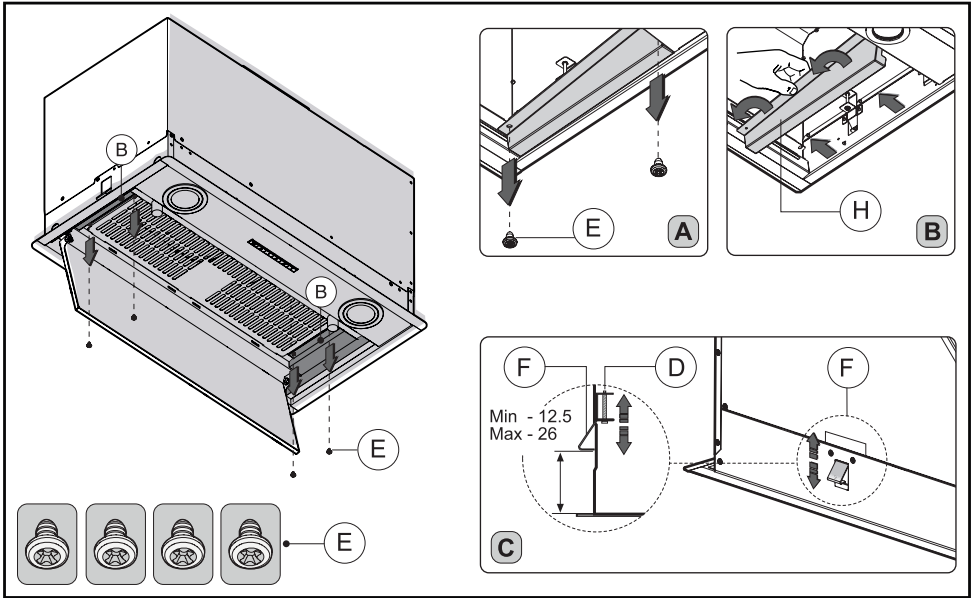


Fig.1.1



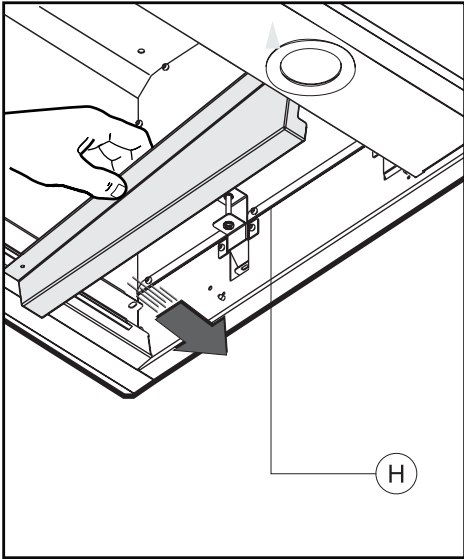


Fig.4

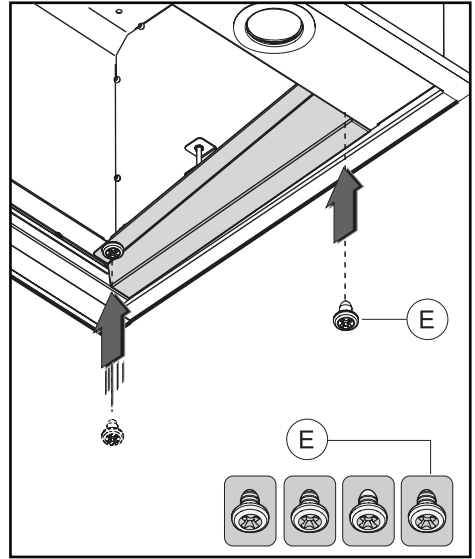


Fig.5

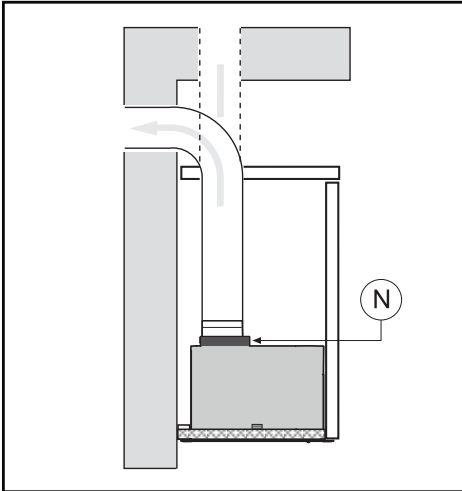


Fig.6

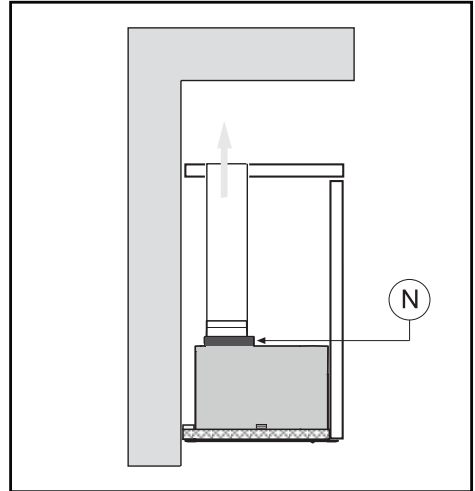


Fig.7

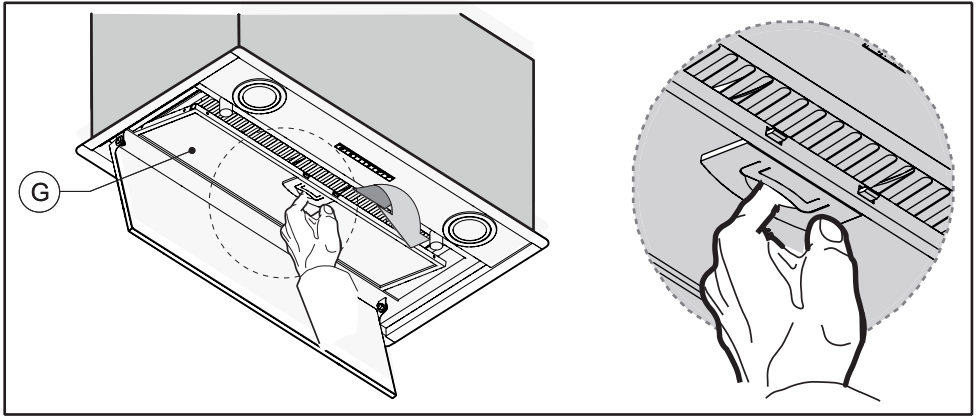


Fig.8

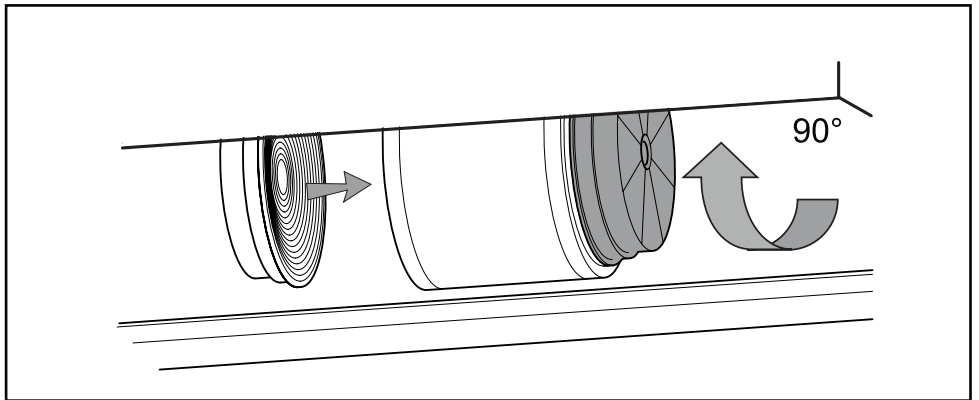


Fig.9

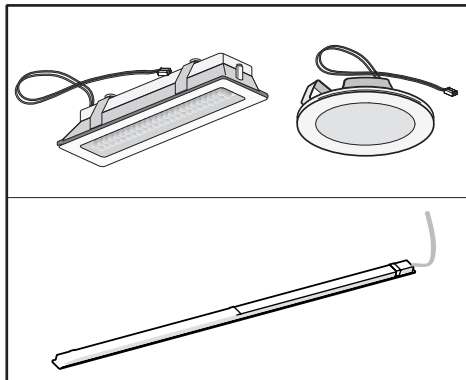


Fig.10

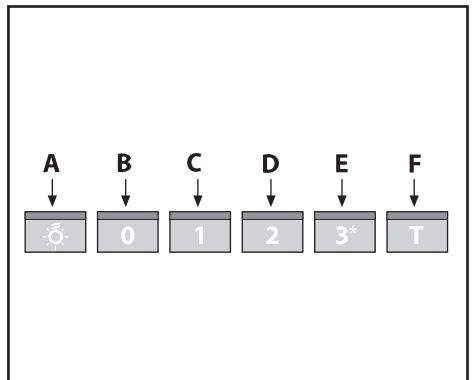


Fig.11

GENERAL

Carefully read the following important information regarding installation safety and maintenance. Keep this information booklet accessible for further consultations. The appliance has been designed for use in the ducting version (air exhaust to the outside - Fig. 6), filtering version (air circulation on the inside - Fig. 7) or with external motor.

SAFETY PRECAUTION

1. Take care when the cooker hood is operating simultaneously with an open fireplace or burner that depend on the air in the environment and are supplied by other than electrical energy, as the cooker hood removes the air from the environment which a burner or fireplace need for combustion. The negative pressure in the environment must not exceed 4Pa (4x10⁻⁵ bar). Provide adequate ventilation in the environment for a safe operation of the cooker hood. Follow the local laws applicable for external air evacuation.

Before connecting the model to the electricity network:

-Control the data plate (positioned inside the appliance) to ascertain that the voltage and power correspond to the network and the socket is suitable. If in doubt ask a qualified electrician.
-If the power supply cable is damaged, it must be replaced with another cable or a special assembly, which may be obtained direct from the manufacturer or from the Technical Assistance Centre.

2. Warning!

In certain circumstances electrical appliances may be a danger hazard.

A) Do not check the status of the filters while the cooker

hood is operating.

B) Do not touch bulbs or adjacent areas, during or straight after prolonged use of the lighting installation.

C) Flambè cooking is prohibited underneath the cooker hood.

D) Avoid free flame, as it is damaging for the filters and a fire hazard.

E) Constantly check food frying to avoid that the overheated oil may become a fire hazard.

F) Disconnect the electrical plug prior to any maintenance.

G) This appliance can be used by children aged from 8 years and above and persons with reduced physical, sensory or mental capabilities or lack of experience and knowledge if they have been given supervision or instruction concerning use of the appliance in a safe way and understand the hazards involved. Children shall not play with the appliance. Cleaning and user maintenance shall not be made by children without supervision.

H) Young children should be supervised to ensure they do not play with the appliance.

I) There shall be adequate ventilation of the room when the rangehood is used at the same time as appliances burning gas or other fuels.

L) There is a risk of fire if cleaning is not carried out in accordance with the instructions.

M) The use of an induction hob promotes the formation of condensation on surrounding surfaces and objects.


INSTALLATION INSTRUCTIONS


• Assembly and electrical connections must be carried out by

specialised personnel.

• Wear protective gloves before proceeding with the installation.

• Electric Connection:

Note! Verify the data label placed inside the appliance:
-If the symbol  appears on the plate, it means that no earth connection must be made on the appliance, therefore follow the instructions concerning insulation class II.

-If the symbol  DOES NOT appear on the plate, follow the instructions concerning insulation class I.

Insulation class II

-The appliance has been manufactured as a class II, therefore no earth cable is necessary.


The plug must be easily accessible after the installation of the appliance. If the appliance is equipped with power cord without plug, a suitably dimensioned omnipolar switch with 3 mm minimum opening between contacts must be fitted between the appliance and the electricity supply in compliance with the load and current regulations.


-The connection to the mains is carried out as follows:
BROWN = **L** line
BLUE = **N** neutral.

Insulation class I

This is a class I, appliance and must therefore be connected to an efficient earthing system.

-The appliance must be connected to the electricity supply as follows:

BROWN = **L** line
BLUE = **N** neutral
YELLOW/GREEN =  earth.

The neutral wire must be connected to the terminal with the **N** symbol while the **YELLOW/GREEN**, wire must be connected to the terminal by the earth symbol .

When connecting the appliance to the electricity supply, make sure that the mains socket has an earth connection. After fitting the ducted cooker hood, make sure that the electrical plug is in a position where it can be accessed easily. If the appliance is connected directly to the electricity supply, an omnipolar switch with a minimum contact opening of 3 mm must be placed in between the two; its size must be suitable for the load required and it must comply with current legislation.

- The minimum distance between the support surfaces of the cooking pots on the cooker top and the lowest part of the cooker hood must be at least **65 cm**. If a connection tube composed of two parts is used, the upper part must be placed outside the lower part. Do not connect the cooker hood exhaust to the same conductor used to circulate hot air or for evacuating fumes from other appliances generated by other than an electrical source. Before proceeding with the assembly operations, remove the anti-grease filter(s) (Fig. 8) so that the unit is easier to handle.
- In the case of assembly of the appliance in the suction version prepare the hole for evacuation of the air.

- We recommend the use of an air exhaust tube which has the same diameter as the air exhaust outlet hole. If a pipe with a smaller diameter is used, the efficiency of the product may be reduced and its operation may become noisier.

• INSTALLATION

The following instruction should be followed to carry out the correct installation of the cooker hood.

1. Mounting of the cooker hood on the lower side of the cupboard
2. Selection of the version (extraction or filtration)

• FITTING THE COOKER HOOD INTO THE LOWER PART OF THE WALL CABINET

For all measurements relating to the cooker hood, please refer to Fig.1 - 1.1.

Before fixing the cooker hood to the lower part of the cabinet, the following steps should be performed:

1- Remove the 4 screws **E** fixing the two cooker hood brackets **H** (RHS and LHS) in place as indicated in Fig. 2A.

2- Remove the brackets **H** as shown in Fig. 2B.

3- Make sure the thickness of the cabinet falls within the range of values listed in Fig. 2C.

Fit the cooker hood in the cabinet (Fig. 3) and make sure the 4 springs are fixed in place well.

Fix the cooker hood to the cabinet securely by using a screwdriver to tighten the screws **M** until the appliance is flush with the cabinet (Fig. 3).

• EXTRACTOR VERSION

When installed in this way the appliance expels fumes outside, either through a perimeter wall or through existing ducting.

It is therefore necessary to purchase a non-flammable air exhaust tube (not supplied) which complies with all current legislation and connect it to flange **N** (Fig. 6).

• FILTER VERSION

To transform an extractor hood version into a filter hood version, contact your appliance dealer and ask for active carbon filters.

The filters should be fitted to the extraction assembly inside the hood, by centring them and rotating them 90 degrees, until they click into place (Fig. 9). Remove panels **G** when performing this procedure (Fig. 8). The air is released back into the room through an air exhaust pipe which passes through the cabinet and is connected to air exhaust hole **N** (Fig. 7).

USE AND MAINTENANCE

• We recommend that the cooker hood is switched on before any food is cooked. We also recommend that the appliance is left running for 15 minutes after the food is cooked, in order to thoroughly eliminate all contaminated air. The effective performance of the cooker hood depends on constant maintenance; the anti-grease filter and the active carbon filter both require special attention.

• **The anti-grease filter** is responsible retaining the grease particles suspended in the air, therefore it is subject to clogging with variable frequency according to the use of the appliance.

- To prevent the danger of possible fires, at least every 2 months one must wash the anti-grease filters by hand

using non-abrasive neutral liquid detergents or in the dishwasher at low temperatures and on short cycles.

- After a few washes, colour alterations may occur. This does not give the right to claim their replacement.

• **The active carbon filters** are used to purify the air that is sent back into the room and its function is to mitigate the unpleasant odours produced by cooking.
- The non-regenerable active carbon filters must be replaced at least every 4 months. The saturation of the active charcoal depends on the more or less prolonged use of the appliance, on the type of kitchen and on the frequency with which anti-grease filter is cleaned.

• **Before remounting the anti-grease filters and the regenerable active charcoal filters it is important that they are completely dry.**

• **Clean the hood frequently, both internally and externally, using a cloth dampened with water or non-abrasive neutral liquid detergents.**

• The lighting system is designed for use during cooking and not for the prolonged general lighting of the room. The prolonged use of the lighting system significantly decreases the average duration of the bulbs.

• **Attention:** the non compliance with the hood cleaning warnings and with the replacement and cleaning of the filters entails risk of fires. One therefore recommends keeping to the suggested instructions.

• **Replacing LED lamps (Fig.10):**

If the appliance version is with LED lamps, the intervention of a specialised technician is necessary to replace them.

• **Bright Control (Fig.11)** the key symbols are explained below:

A = LIGHT

B = OFF

C = SPEED I

D = SPEED II

E = SPEED III

F = AUTOMATIC STOP TIMER - 15 minutes (*)

If your appliance has the **INTENSIVE** speed function, from speed THREE, press key **E** for 2 seconds and it will be activated for 6 minutes after which it will return to the previously set speed. When the function is active the LED flashes.

To interrupt it before the 6 minutes have elapsed, press key **E** again. Some models allow activating this function even with speed one and two.

By pressing key **F** for two seconds (with the hood switched off) the "**clean air**" function is activated. This function switches the appliance on for ten minutes every hour at the first speed. As soon as this function is activated the motor starts up at the first speed for ten minutes. During this time key **F** and key **C** must flash at the same time. After ten minutes the motor switches off and the LED of key **F** remains switched on with a fixed light until the motor starts up again at the first speed after fifty minutes and keys **F** and **C** start to flash again for ten minutes and so on. By pressing any key for the exclusion of the hood light the hood will return immediately to its normal functioning (e.g. if key **D** is pressed the "**clean air**" function is deactivated and the motor moves to the 2nd speed straight away. By pressing key **B** the function is deactivated).

(*) The "**AUTOMATIC STOP TIMER**" delays stopping of the hood, which will continue functioning for 15 minutes at the operating speed set at the time this function is activated.

• **Anti-grease/active charcoal filters saturation:**

-When the **A** key flashes with a **2 second** frequency the anti-grease filters must be washed.

-When the **A** key flashes with a **0.5 second** frequency the active carbon filters must be replaced or washed depending on the type of filter.

Once the clean filter has been put back one must reset the electronic memory by pressing the **A** key for approximately **5 seconds** until it stops flashing.

THE MANUFACTURER DECLINES ALL RESPONSIBILITY FOR EVENTUAL DAMAGES CAUSED BY BREACHING THE ABOVE WARNINGS.



**Miro Products Limited
Unit 9, Evolve@Vision Park
Whittle Way
Burnley, Lancashire
BB12 0AW
01282 450238**